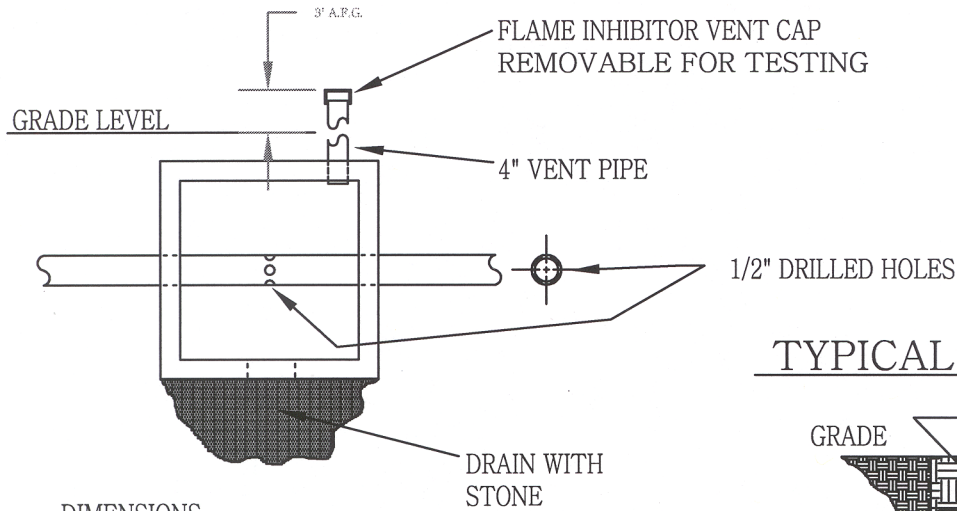
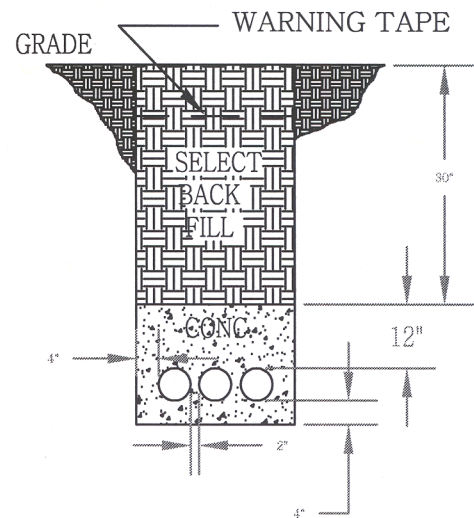


VENTING CHAMBER



DIMENSIONS
18"L X 18"W X 18"D

TYPICAL FORMATION



NO SCALE

DRAWN BY: TA
CHECKED BY: GR
PROJ #: -
DATE: 10-28-2000
DWG. # SK-18

CONDUIT FEED FROM POLE