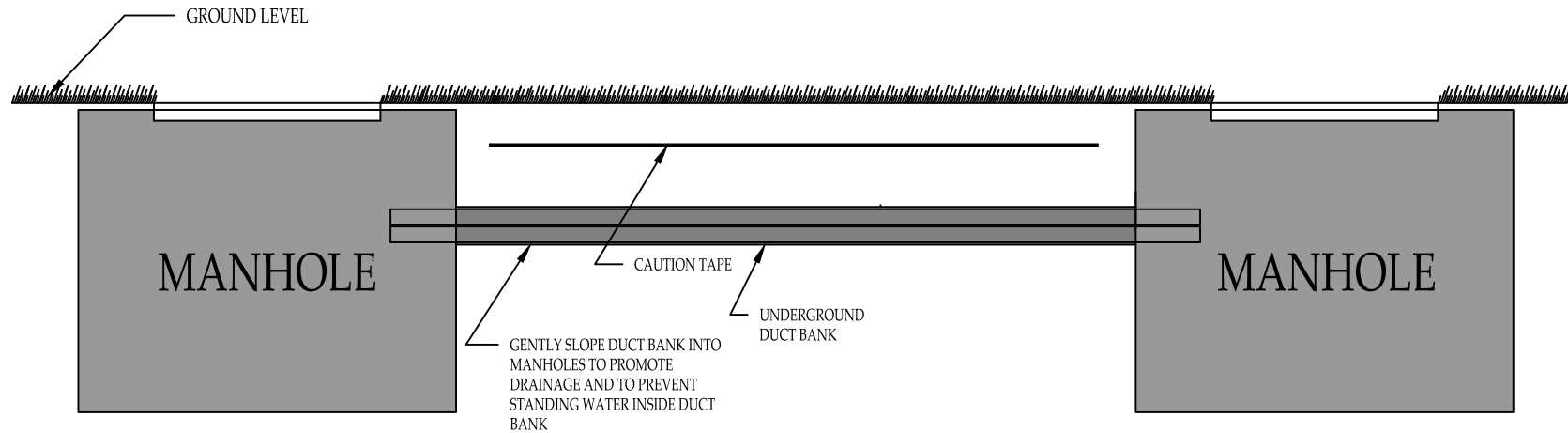
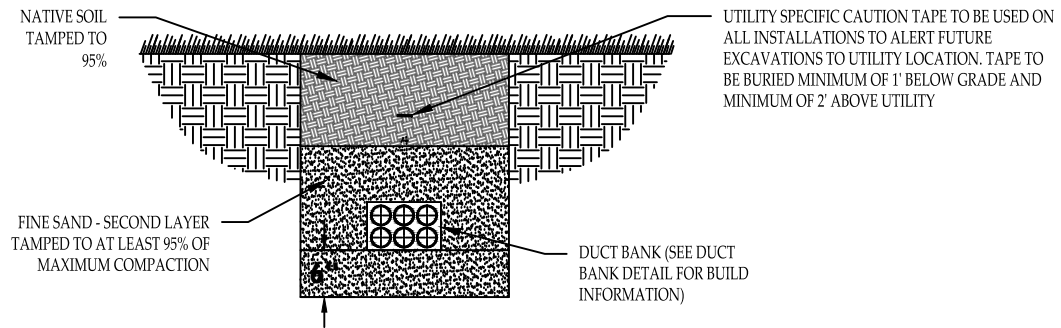


TRENCH PROFILE



TRENCH SECTION



NOTES:

- -ALL CONNECTIONS MUST BE SOLDERED AND WATERTIGHT
- -TAPE MUST NOT BE DAMAGED OR TORN

DRAWN BY: TS
 CHECKED BY:
 SCALE: N.T.S.
 DATE: 04/25/2022

ELECTRICAL CONDUIT INSTALLATION

RUTGERS
 THE STATE UNIVERSITY
 OF NEW JERSEY
 UNIVERSITY FACILITIES PISCATAWAY,
 NEW JERSEY

SK-41